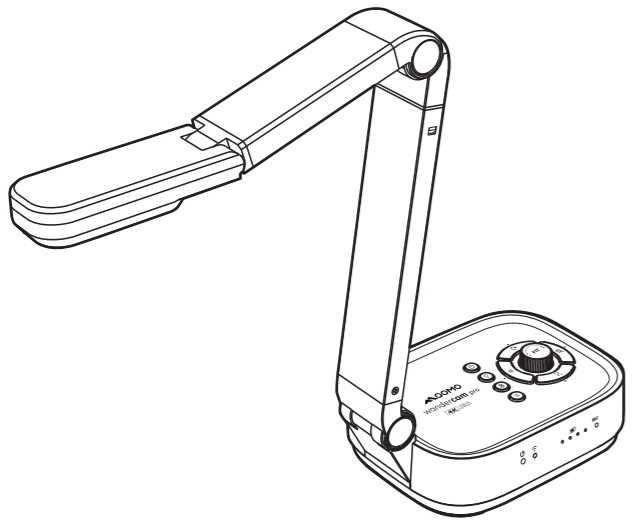




wandercam pro
4K Wireless Document Camera
QPC100W

Quick Start Guide



Please read this guide before using the product.

Step 1. Instructions

Thank you for your purchase of the WanderCam Pro (QPC100W) by QOMO. This quick start guide briefly describes the steps to get started using your new document camera. If you have any technical or service questions about the product, please e-mail our customer service at support@qomo.com. For an extended user manual, software, and tutorial videos visit www.qomo.com.

Limited Warranty

Your QOMO document camera includes a warranty guarantee of 2 years from the date of purchase. For more details on warranty coverage, please visit www.qomo.com/warranty.

Warranty Exclusions

- The following circumstances are excluded from warranty coverage:
- Product damage caused by catastrophes, thunder stroke, faulty electric power, and environmental factors.
 - Defacing of product labeling (label alterations and falsifying, serial number missing, serial number no longer discernible, serial number invalid). All serial numbers are recorded and tracked for warranty purposes.
 - Unauthorized changes of parts, modifications or alterations, parts removal in or to the products.
 - Damage caused by operator error or operator fails to comply user manual instruction, such as, but not limited to improper storage resulting in product get wet, corrosion, ell off, squeezed or exposed to inadequate temperature/humid environment.
 - Accessories or packing material such as boxes, user manual, etc.

Safety & Environmental Information

- This device complies with part 15 of the FCC rules and CE certification.
- Discarded electrical and electronic appliances are recyclable and should separate from household waste. Please actively support in conserving resources and protecting the environment by returning this appliance to the collection centers.

System Requirements

Intel i3 Processor or Higher
USB Port
At least 4GB RMB (Recommended 8GB)
20GB Available HDD Space
Windows & Chrome Extension



Step 2. Specifications

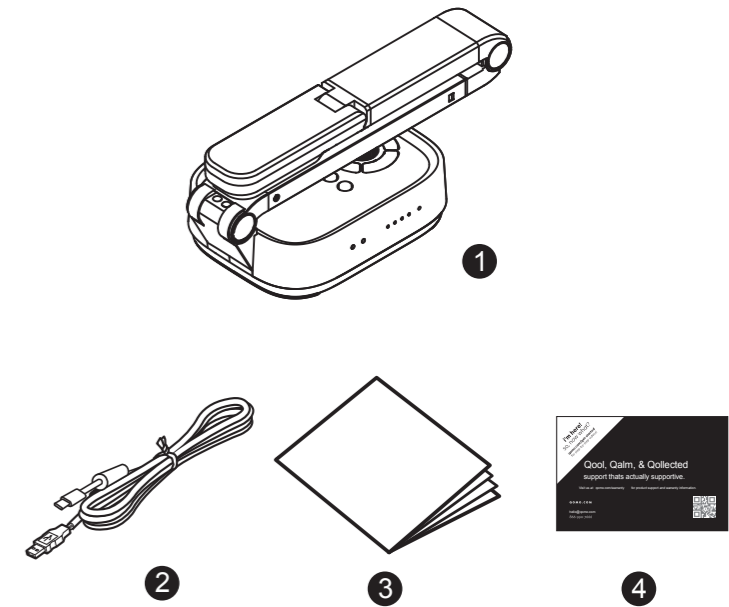
Image Sensor	1/3.06", 13 MP CMOS Sensor
F/NO (Infinite)	2.2
TV lines	1100
Max. Shooting Area	430mm x 320mm (17"x12.6")
Max. HDMI Output Resolution / FPS	3840x2160@30fps (4K, 16:9)
USB Output Resolution / FPS	4192x3104@10fps, 3840x2160@30fps 1920x1080@30fps, 1280x720@30fps 1024x768@30fps, 640x360@30fps
Video Format	H.264 / MJPG / YUY2
Focus	Auto / Manual
Lamp	LED
Image Rotation	0° / 90° / 180° / 270° / Flip / Mirror
PTZ	Yes
Freeze	Yes
Power Frequency	50 / 60 Hz
Wireless Compatibility	802.11a/b/g/n/ac
Wireless Working Frequency	5 GHz / 2.4 GHz
Dual mode	AP / Station DHCP (Server / Client)
Microphone	Built-in Omnidirectional Microphone
Connectivity	USB (Type-C) / HDMI / WiFi
Microphone	Built-in Omnidirectional Microphone 1kHz(0dB=1V/Pa) Min-45 Nom-42 Max-39 dB
Powered By	USB Type-C (5V / 1A)
Built-in Battery	Battery Work 9 Hours
Protocol	UVC / UAC Compliant
Soupport OS	Windows & Chrome Extension
Dimensions	Extended: 347x115x381 mm Closed: 242x115x87 mm
Net Weight	1.36Kg

NOTE: Specifications are subject to change without notice

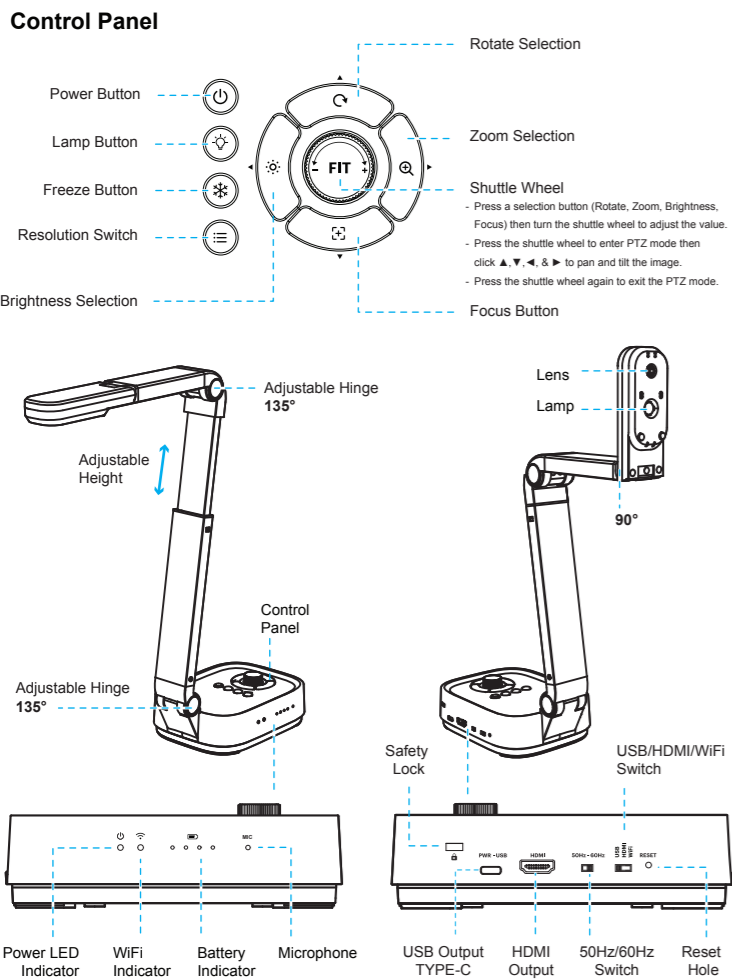
Step 3. Unpacking

Before use, make sure the following items are included in the package. If anything is missing, contact the retailer where you purchased the product.

1. QPC100W Document Camera
2. USB Type-C Cable
3. Quick Start Guide
4. Warranty Card

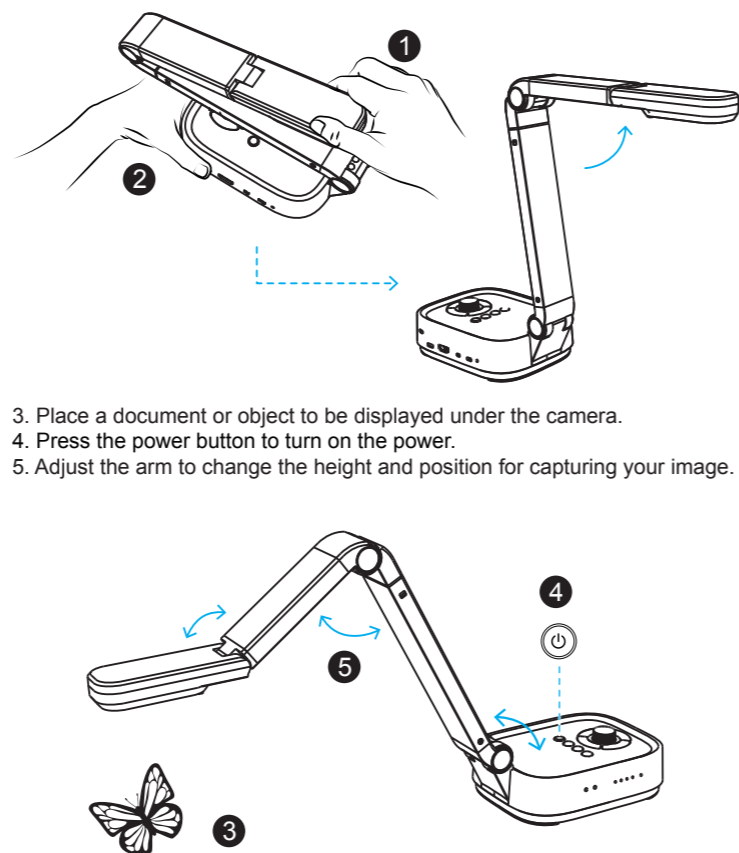


Step 4. Parts Descriptions



Step 5. Start Using

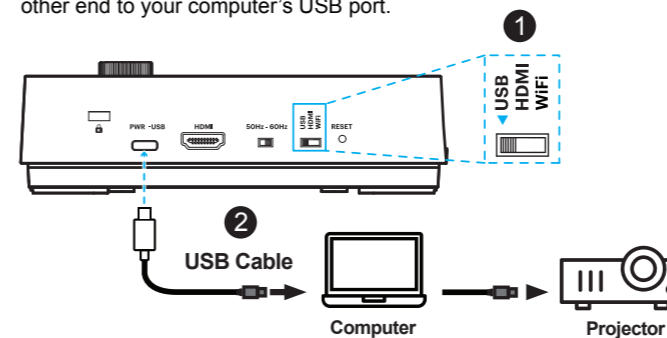
1. Start by lifting the camera head.
2. Hold steady the base of the unit to assist.
3. Place a document or object to be displayed under the camera.
4. Press the power button to turn on the power.
5. Adjust the arm to change the height and position for capturing your image.



Step 6. USB & HDMI Connections

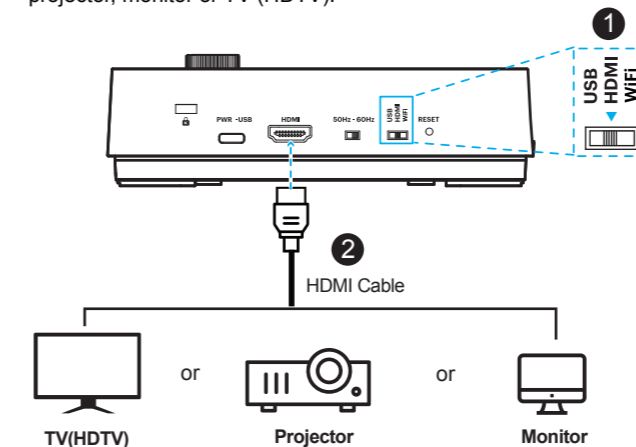
USB Mode Connection

1. Switch to the USB connection mode at the side of the doc cam.
2. Plug the supplied USB type-C cable to the doc cam and connect the other end to your computer's USB port.



HDMI Mode Connection

1. Switch to the HDMI connection mode at the side of the doc cam.
2. Plug the HDMI cable to the doc cam and connect the other end into a projector, monitor or TV (HDTV).



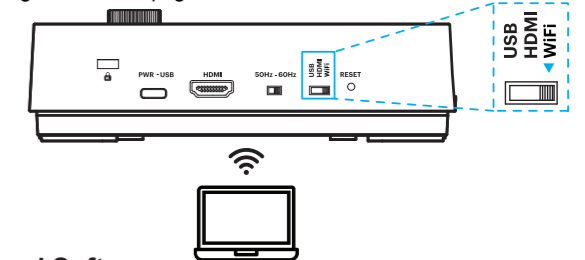
Step 7. Wi-Fi Connection

Network Connection

1. Switch to the Wi-Fi mode at the side of your doc cam. The Wi-Fi LED indicator will emit a flashing green light.
2. Open the wireless network list on your computer.
3. Select the [QOMO_5G_xxxxxx] in the network list, and input the password for connection (default: 88889999) to start the connection.
4. When the connection is successful, the Wi-Fi LED indicator will emit a steady green light.

Log in to the web page

1. Open the web browser, and enter the default IP [192.168.100.1] in the address bar.
2. Enter the login account [admin] and default password [9999], and click Login.
3. After logging in to the web page, you can access a live preview and configure the settings on the web page.



Download Software

The WanderCam Pro is a standard UVC camera -- you can use it with a variety of software that support UVC camera connection. The WanderCam Pro is compatible with the third-party video conferencing softwares Zoom, Microsoft Teams, or Google Meet. However, to get the full functionality of this 4K document camera, we'd recommend using it with the QCapture Pro and you can download this free from the QOMO website at the link below.

<https://www.qomo.com/software>



qomo.com 1-866-990-7666 support@qomo.com