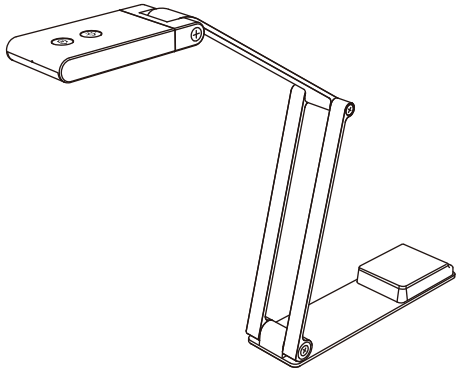


Portable & 4K Resolution



Quick Start Guide

Please read this guide before using the product.

Instructions

Thank you for purchasing the QOMO QPC5 document camera. The QPC5 is a 2-in-1 document camera that doubles as a webcam for distance learning and live demonstrations. It is equipped with AI Noise Reduction microphone and a 4K resolution camera. This quick start guide briefly describes the steps to start using your new document camera. If you have any technical or service questions about the products, please reach out at support@qomo.com.

Safety & Environmental Information

Federal Communications Commission Statement (Class B)

This device complies with Part 15 of the FCC Rules. Operation is subject to the following two conditions: (1) this device may not cause harmful interference, and (2) this device must accept any interference received, including interference that may cause undesired operation. This equipment has been tested and found to comply with the limits for a Class B digital device, pursuant to part 15 of the FCC Rules. These limits are designed to provide reasonable protection against harmful interference in a residential installation. This equipment generates, uses, and can radiate radio frequency energy and, if not installed and used in accordance with the instruction manual, may cause harmful interference to radio communications. However, there is no guarantee that interference will not occur in a particular installation. If this equipment does cause harmful interference to radio or television reception, which can be determined by turning the equipment off and on, the user is encouraged to try to correct the interference by one or more of the following measures:

- Reorient or relocate the receiving antenna.
- Increase the separation between the equipment and receiver.
- Connect the equipment into an outlet on a circuit different from that to which the receiver is connected.
- Consult the dealer or an experienced radio/TV technician for help.

Any changes or modifications not expressly approved by the party responsible for compliance could void the authority to operate the equipment.

CE Class B (EMC)

This product is herewith confirmed to comply with the requirements set out in the Council Directives on the Approximation of the laws of the Member States relating to Electromagnetic Compatibility Directive 2014/30/EU.



This symbol on a product or on its packaging indicates that the product must not be disposed of with other household waste. Instead, it is your responsibility to ensure disposal of waste equipment by handing it over to a designated collection point for the recycling of waste electrical and electronic equipment usually at a Local Amenity Site. The proper recycling of your waste equipment at the time of disposal will help to conserve natural resources and ensure that it is recycled in a manner that protects human health and the environment.

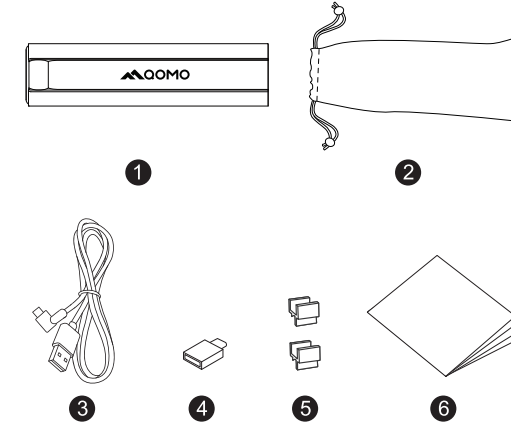
Specifications

Image Sensor	13 Megapixel 1/3" CMOS
F/NO (Infinite)	F2.2 ± 5%
Output Resolution / FPS	MJPEG: 3840x2880@15fps, 3840x2160@30fps, 3264x2448@30fps, 2592x1944@30fps, 2048x1536@30fps, 1920x1080@60fps, 1600x1200@60fps, 1280x720@60fps, 1024x768@60fps, 960x540@60fps, 640x480@60fps, 640x360@60fps YUY2: 1280x720@10fps, 1024x768@10fps, 960x540@15fps, 640x480@30fps, 640x360@30fps
Digital Zoom	10x by Software
Max. Shooting Area	440 x 330mm (at output 2048x1536)
Video Compression	MJPEG, YUY2
Focus	Auto
Image Rotation	0° / 180° / AUTO
Min. Focus distance	10 cm
Support Power Line Frequency	50 / 60 Hz
Microphone Sensitivity	94dB SPL@1KHz Min-29 Tye-26 Max-23 dBFS SNR 64dB
Interface	USB Type-C
Powered by	USB 2.0 5V/500mA
Support Operating System	Windows® 11, 10, Windows 8, Windows 7 macOS 10.15 or later
Dimensions	Extended: 397(L) x 51(W) x 351(H) mm Closed: 197 (L) x 51(W) x 20(H) mm
Net Weight	409g

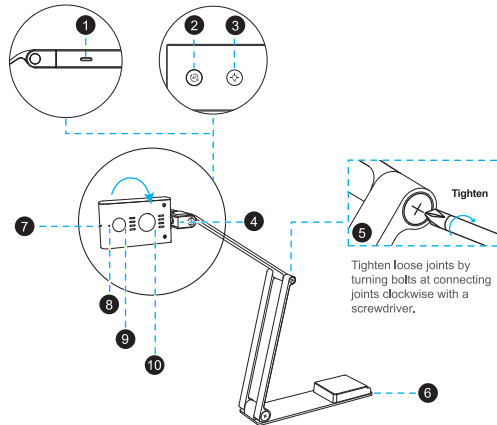
Unpacking

Before use, make sure the following items are included in the package. If anything is missing, contact the retailer where you purchased the product.

1. QPC5 Document Camera
2. Carrying Bag
3. USB Cable
4. USB C to A Adapter
5. Cable Clip x 2
6. Quick Start Guide



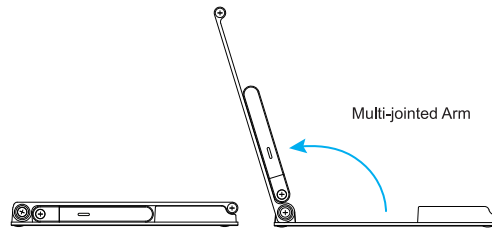
Parts Descriptions



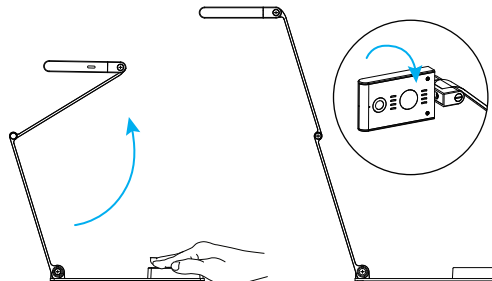
1. USB Type-C Port
2. Auto Focus/Rotate Button
Press once: Auto Focus
Press and hold: Flip Image 0°/180°
3. LED Touch Button
Press to turn on the LED light
(3-levels of brightness control)
4. Manually Flip Camera Head
0° - 180°
5. Bolts
6. Base Plate
7. LED Indicator
8. Built-in Microphone
9. Camera lens
10. LED Light

Getting Started 1

1. Lift the camera arm to extend the document camera.

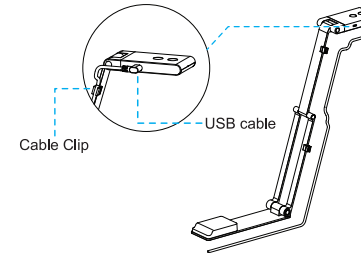


2. Press against the base plate of camera and pull it up, then flip the camera head into position.



Getting Started 2

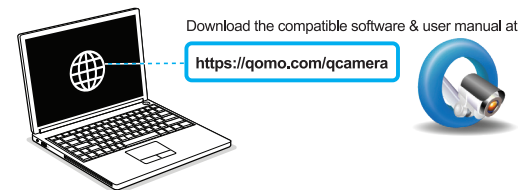
3. Plug the supplied USB cable to the camera and connect the other end into the computer's USB port.
4. Attach the cable clips to the camera arm to fix the USB cable.



Software Download

Using the compatible software

The QPC5 is a standard UVC camera that can be used with a variety of software including third-party video conferencing softwares Zoom, Microsoft Teams, or Google Meet. However, to get the full functionality of this 4K document camera, we recommend using it with the included QOMO QCamera software for document cameras. This software allows you to annotate, save, and record photos and videos. You can download /QCamera free using the link below.



Warranty Information

Warranty Card	
Model No: QPC5	
This product provides limited liability warranty coverage of two (2) years. For more information, visit www.qomo.com	
Name:	Email:
Address:	
Product S/N:	
Reseller Info.:	
Date of purchase:	

Warranty Exclusions

- The following circumstances are excluded from warranty coverage:
- Product damage caused by catastrophes, thunder stroke, faulty electric power, and environmental factors.
 - Defacing of product labeling (label alterations and falsifying, serial number missing, serial number no longer discernible, serial number invalid). All serial numbers are recorded and tracked for warranty purposes.
 - Unauthorized changes of non-parts, modifications or alterations, parts removal in or to the products.
 - Damage caused by operator error or operator fails to comply user manual instruction, such as, but not limited to improper storage resulting in product get wet, corrosion, ell off, squeezed or exposed to inadequate temperature/humid environment.
 - Accessories or packing material such as boxes, user manual, etc.