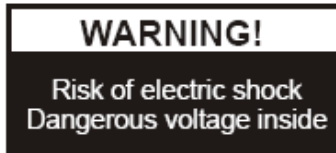


# PRECAUTIONS



## Please follow these precautions:

**To prevent** fire or shock hazard, do not expose the unit to rain or moisture.

**To prevent** electrical shock, do not open the unit. Refer to qualified personnel for service only.

**Do not use** the unit continuously for more than 24 hours with camera auto focus on. It may cause damage to the camera lens.

**Be careful not to** spill water or other liquids onto the unit, or allow combustible or metallic objects to get inside the base.

**Unplug** the visualiser from the wall outlet when it is not being used for a long period of time.

**Clean the unit** with a soft cloth lightly moistened with a mild detergent solution.

**Clean the lens** carefully with an air spray or soft dry cloth to avoid scratching it.

**Rotate** the camera lens cap before power the unit on.

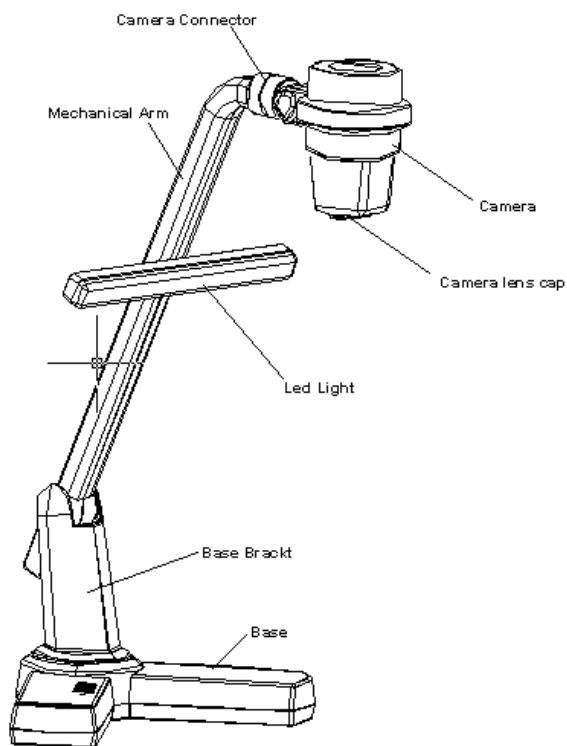
## Contents

<b>Product Introduction .....</b>	<b>3</b>
<b>Parts Identification .....</b>	<b>3</b>
<b>Making Adjustments.....</b>	<b>4</b>
<b>Control Panel .....</b>	<b>7</b>
<b>Remote Control Instruction .....</b>	<b>8</b>
<b>Installing Visualizer Software .....</b>	<b>9</b>
<b>USB Port.....</b>	<b>10</b>
<b>USB Image Capture .....</b>	<b>10</b>
<b>Specification .....</b>	<b>12</b>

## Product Introduction

Thank you for purchasing the visualiser. This visualiser comes with a new design which is more simple, flexible, portable and with a high resolution. The visualiser can be used to present 3D objects, texts, graphs, transparencies and negative films. It can be connected to projector, PC and other multi-media equipments. The visualiser is not just a equipment in corporate environment but also a indispensable tool to academic, medical and scientific community.

## Parts Identification

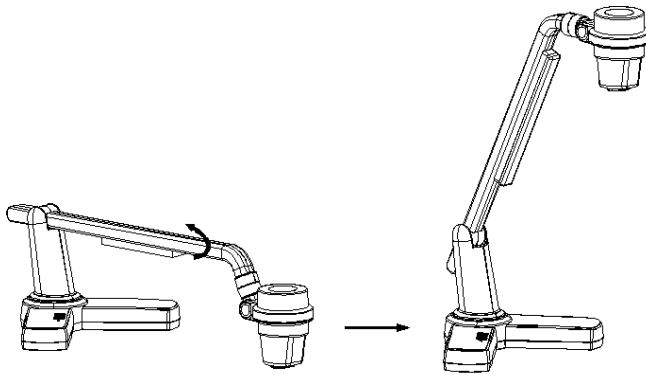


# Making Adjustments

On the visualiser, there are six places can be adjusted.

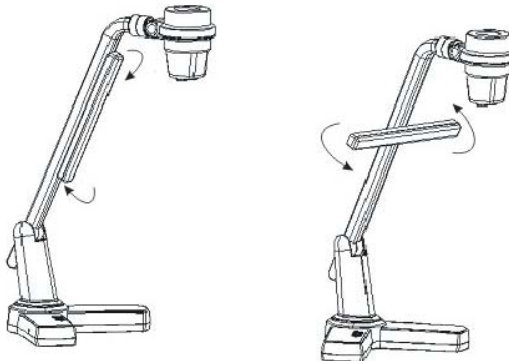
## 1. Adjust Mechanical Arm

This adjustment can increase and decrease image. Hold the visualiser base with one hand, carry the mechanical arm with another hand and adjust it up and down. The mechanical arm can be moved from almost any angle.



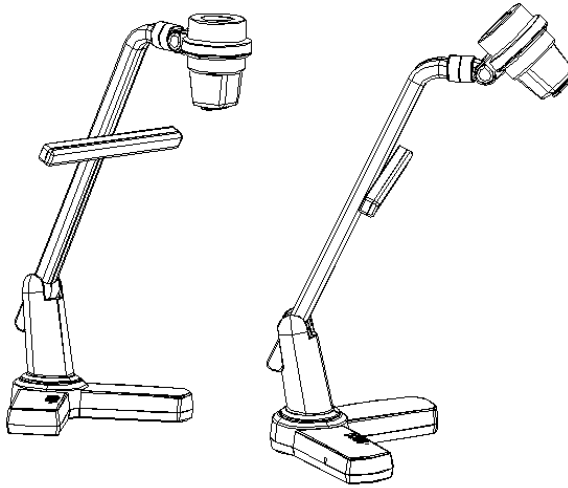
## 2. Adjust LED light

The LED light can be rotated 90 degrees. (as below illustration)

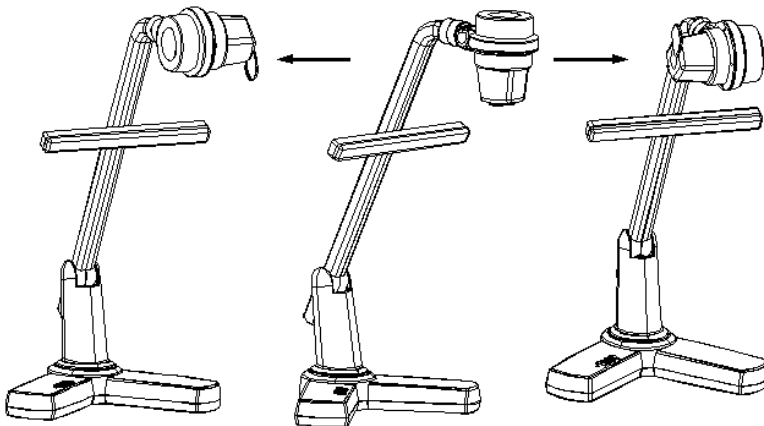


### 3. Adjust Camera Box

Hold the camera box and rotate it up and down. The camera box can be rotated 45 degrees. (as blow illustration)

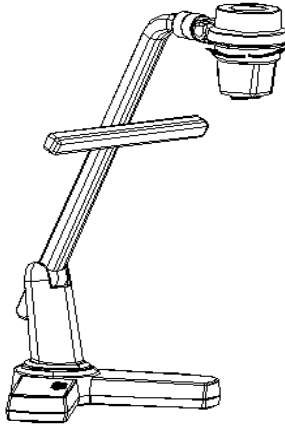


Hold the camera box and rotate it left and right. The camera box can be rotated 90 degrees. (as blow illustration)



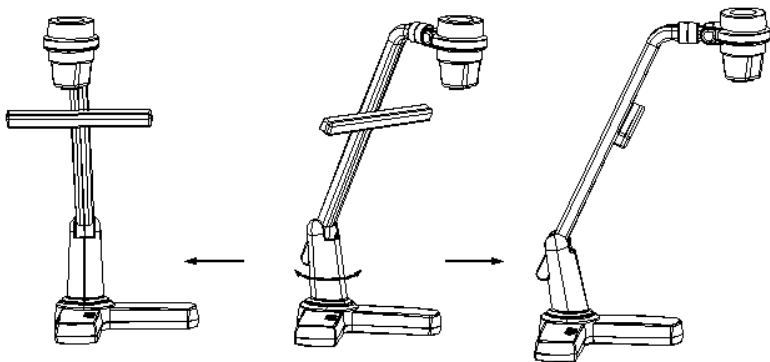
#### 4. Adjust Camera Head

Hold the camera connector with one hand and, rotate the camera box connector with another hand. The camera head can be rotated 90 degrees. (as blow illustration)



#### 5. Adjust Base Bracket

Hold the visualizer base with one hand, rotate the base bracket with another hand. The base bracket can be rotated 45 degrees. (as blow illustration)

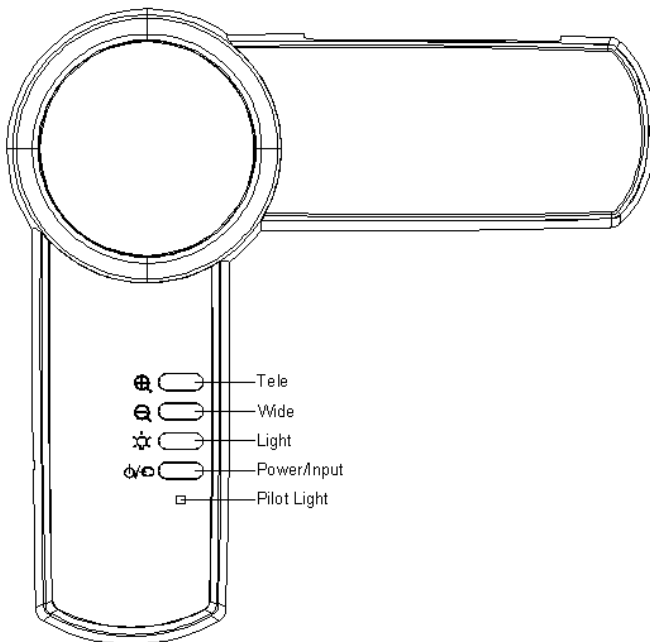


**Notice: Do not rotate the parts emphatically when the rotation reached maximum.**

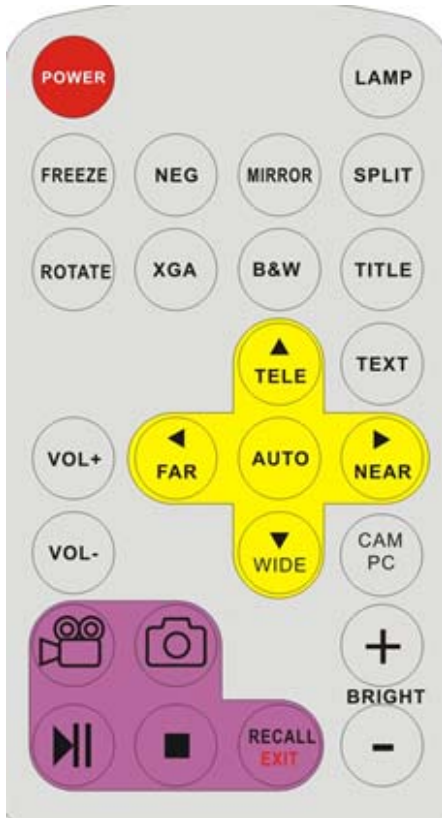
# Control Panel

There are four touch buttons located on the top of visualiser base:

- **⊕T** : Enlarge image
- **W⊖**: Reduce image
- **Light**: Turn the LED light on/of f. Press and hold for three seconds to delete all the stored files under recall status..
- **Power/Input**: Turn the visualiser on/off and switch input source between CAM and PC
- **Pilot Light**: In standby mode the color of the light will be red ,in CAM input mode will be green and in PC input mode will be orange.



# Remote Control Instruction



**POWER** (Control the visualiser On/Off)

**LAMP** (Control the arm lights. Press and hold for three seconds to delete all the stored files under recall status)

**FREEZE** (Freeze the image)

**NEG** (Display film negatives)

**MIRROR** (V-Reverse the image)

**SPLIT** (Image Split function)

**ROTATE** (Rotate the image)

**XGA** (Switch among XGA , SXGA , 720P and WXGA)



**B&W** (Switch between Color mode and Black & White mode)

**TITLE** (Freeze the top 1/8 of the screen)

**TEXT** (Switch between image/text mode. Delete the selected file under recall status)

**VOL+/-** (Increase or decrease the volume)(Option)

**TELE/WIDE** (Increase and decrease magnification)

**FAR/NEAR** (Focus near or far)

**AUTO** (To auto adjust brightness, auto white balance and auto focus)

**CAM/PC** (CAM or PC signal output selection)



(Captured Videos and save in SD Card)



(Captured images and save in SD Card or Flash Rom)



(Play the captured Videos or pause)



(Stop captured Videos or play)

**RECALL** (Multiple Screen Display)

**EXIT** (Exit recall)

**BRIGHT+/-** (Increase or decrease the brightness)

## Installing Visualizer Software

This function is to snap and display images with the USB interface, which includes displaying static and dynamic pictures, snapping dynamic images and playback the dynamic images with the Windows Media Player or its own player.

Insert the CD-ROM that comes with the visualiser into the CD-ROM drive.

- A. Click the **Capture Program** file to install the program that captures images in the AVI or JPG format.

- B. Shut down your computer when prompted in order for the changes to take effect.
- C. Use the USB2.0 cable provided to connect your computer to the visualiser before your computer is restarted.

## USB Port

The USB port can be used to store still images from the visualiser in a computer. Connect the visualiser to your computer with the supplied USB cable. The visualiser software is available on the supplied CD-ROM.

### **\* Please pay attention to the following:**


1. Computer hardware requirement: CPU: 2.4GHz, RAM: 256M or above, Graphic card 64M, USB 2.0 port, Hard disk 40 G or more, Monitor display resolution higher than XGA (1024\*768).
2. Operating system: Windows XP SP2 (Service Pack 2).
3. Must use a high-speed USB 2.0 cable provided
4. When connecting the visualiser to a desktop computer with the high-speed USB 2.0 cable provided, we recommend using the USB port located on the rear of the mainframe. The USB port on the front of the computer might have interference.

## USB Image Capture

You can capture and control images on the visualiser from a computer connected with a USB connector.



Click [Start] -> [Program] -> [VideoCap] -> "VideoCapx.xx" (x.xx is software's version) to open the software.

### **A. Static Images Snap**

Click "Capture" -> "Capture Frame", input the file name in dialog box, or you can click  icon on the toolbar, then input file name in dialog window.

The image file is JPG format.

### **B. Snap Video Stream**

Click "Capture" -> "Start Capture", input the file name in dialog box, or click  icon on the toolbar, then input the file name in dialog box. If you want to set the time limit for the capture, select "Capture" -> "Set Time Limit" to set the time limit. Click "Start Capture" to start capture, and click "Stop Capture" or  icon on the toolbar to stop capture. (If you have set the time limit, it will stop automatically when the time is up.) The video file is AVI format.

### **C. Set the Frame Rate**

Click [Capture] -> [Set Frame Rate], and click open "Choose Frame Rate" to set the frame rate.

### **D. Set Time Limit**

Click [Capture] -> [Set Time Limit] to set the time limit while capturing video.

### **E. Note:**

Do not connect / disconnect the USB cable when the application is running, which will cause the program to be interrupted.

## Specification

Pickup Device	CMOS color sensor with 2.0 Mega Pixels
Output Resolution	XGA, SXGA, 720P, WXGA
Zoom	8x optical, 10x digital
Focus	Auto/manual
White Balance	Auto/manual
Camera Head Rotation	Horizontally 180°
Lens Rotation	Vertically 180°
Negative/positive conversion	Yes
Black/white and color selection	Yes
Image Split	Yes
Image Title	Yes
Image Freeze	Yes
Image Rotate	90°, 180°, 270°
Image/video Save & Recall	Flash Rom: about 400 Frames (Max.);
	SD Card: support up to 32G (Option);
	3 x 3 multiple screen display
RGB Input	DB15FLC x 1
RGB Output	DB15FLC x 1
USB port	USB 2.0
Power Source	12V/4A external AC adapter

Lighting	3W LED lamps
Operating Temperature:	0°C~40°C
Power	AC 100~240V, 50/60Hz
Dimensions (mm)	Setup: 341x262x492mm Folded: 528x208x159mm
Weight	1.6kg

\* Design and specifications are subject to change without notice.