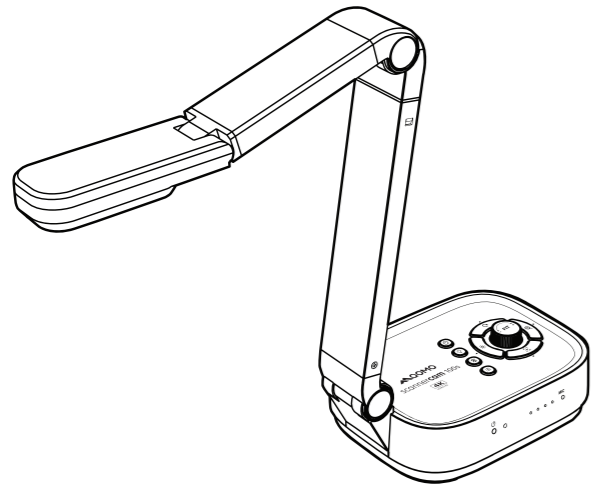




scannercam 100s
4K DOCUMENT CAMERA
QPC100S

Quick Start Guide



Please read this guide before using the product.

Step 1. Instructions

Thank you for your purchase of the ScannerCam 100S (QPC100S) by QOMO. The ScannerCam 100S document camera is a high-quality and easy-to-use 4K document camera with HDMI and USB plug-n-play connection. This quick start guide briefly describes the steps to get started using your new document camera. If you have any technical or service questions about the product, please e-mail our customer service at support@qomo.com. For additional tutorial videos and software download, visit www.qomo.com

Limited Warranty

Your QOMO document camera includes a warranty guarantee of 2 years from the date of purchase. For more details on warranty coverage, please visit www.qomo.com/warranty.

Warranty Exclusions

- The following circumstances are excluded from warranty coverage:
- Product damage caused by catastrophes, faulty electric power, and environmental factors.
 - Defacing of product labels (label alterations and falsifying, serial number missing, serial number no longer discernible, serial number invalid). All serial numbers are recorded and tracked for warranty purposes.
 - Unauthorized changes of non-parts, modifications or alterations, parts removal in or to the products.
 - Damage caused by operator error or operator fails to comply user manual instruction, such as, but not limited to improper storage resulting in product get wet, corrosion, ell off, squeezed or exposed to inadequate temperature/humid environment.
 - Accessories or packing material such as boxes, user manual, etc.

Safety & Environmental Information

- This device complies with part 15 of the FCC rules and CE certification.
- Discarded electrical and electronic appliances are recyclable and should be separate from household waste. Please actively support in conserving resources and protecting the environment by returning this appliance to the collection centers.

System Requirements

Intel i5 Processor or Higher
USB Port
At least 4GB RMB (Recommended 8GB)
20GB Available HDD Space
Windows, Mac, Chrome OS



Step 2. Specifications

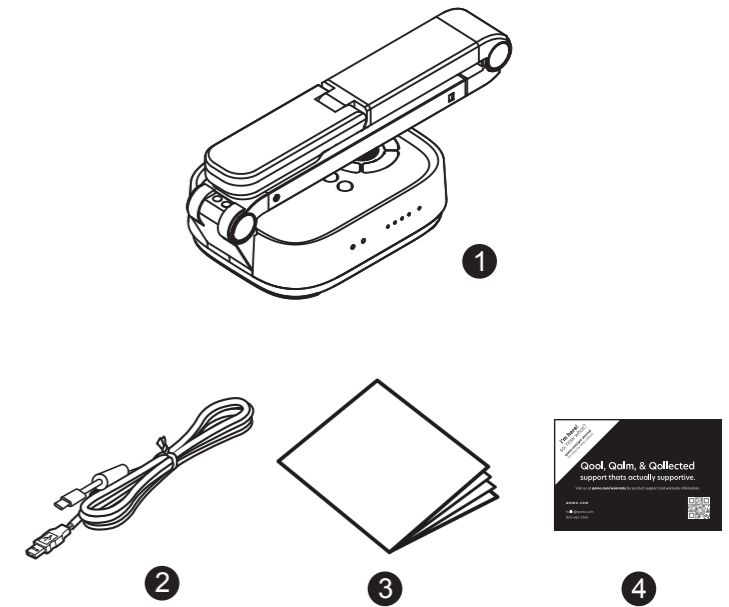
Image Sensor	1/3.06", 13 MP CMOS Sensor
F/NO (Infinite)	2.2
TV lines	1100
Max. Shooting Area	430mm x 320mm (17"x12.6")
Max. HDMI Output Resolution / FPS	3840x2160@30fps (4K, 16:9)
USB Output Resolution / FPS	4192x3104@10fps (13MP, 4:3) 3840x2160@30fps (4K, 16:9) 1920x1080@30fps (Full HD, 16:9) 1280x720@30fps (HD, 16:9) 1024x768@30fps (XGA, 4:3) 640x360@30fps (VGA, 16:9)
Video Format	H.264 / MJPG / YUY2
Focus	Auto / Manual
Lamp	LED
Image Rotation	0° / 90° / 180° / 270° / Flip / Mirror
PTZ	Yes
Freeze	Yes
Power Frequency	50 / 60 Hz
Connectivity	USB (Type-C) / HDMI
Microphone	Built-in Omnidirectional Microphone 1kHz(0dB=1V/Pa) Min-45 Nom-42 Max-39 dB
Powered By	USB Type-C (5V/900mA)
Protocol	UVC / UAC Compliant
Software Compatibility	Windows, Mac, Chrome OS
Dimensions	Extended: 347x115x381 mm Closed: 242x115x87 mm
Net Weight	1.2Kg

NOTE: Specifications are subject to change without notice

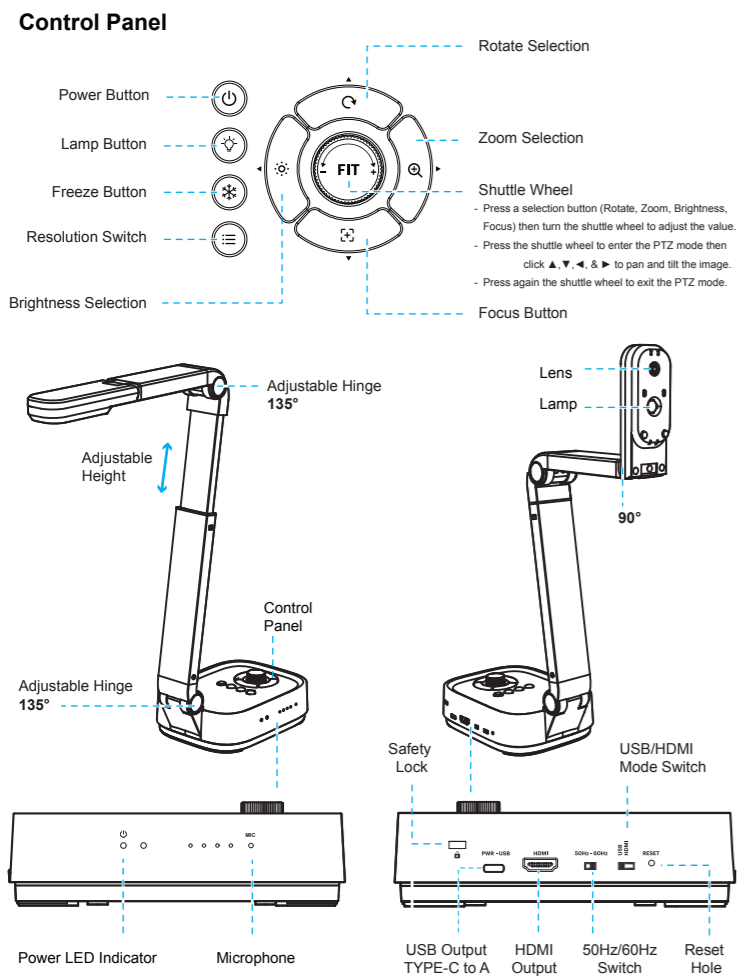
Step 3. Unpacking

Before use, make sure the following items are included in the package. If anything is missing, contact the retailer where you purchased the product.

1. QPC100S 4K Document Camera
2. USB Type-A to C Cable
3. Quick Start Guide
4. Warranty Card

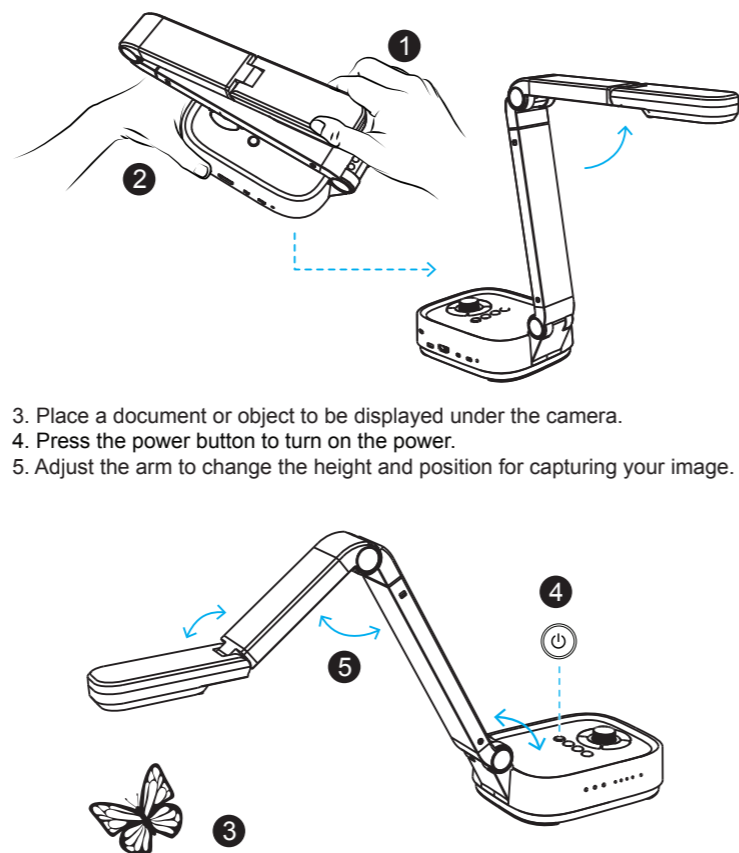


Step 4. Parts Descriptions



Step 5. Start Using

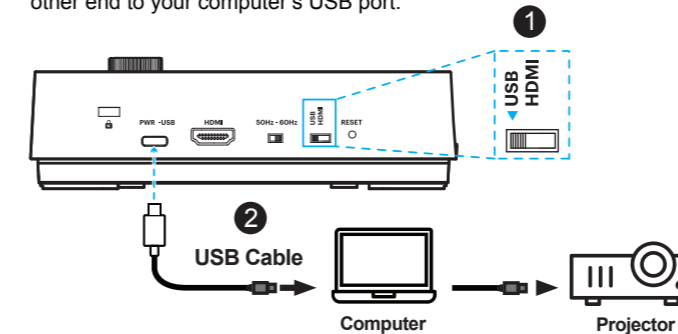
1. Start by lifting the camera head.
2. Hold steady the base of the unit to assist.
3. Place a document or object to be displayed under the camera.
4. Press the power button to turn on the power.
5. Adjust the arm to change the height and position for capturing your image.



Step 6. Connection Settings

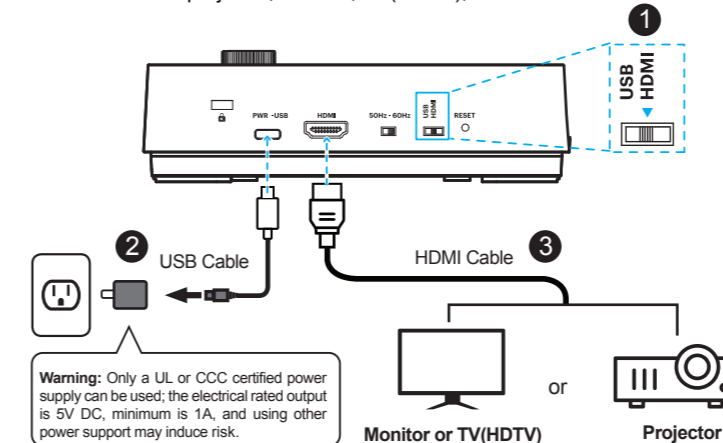
USB Mode Connection

1. Switch to the USB connection mode at the side of the doc cam.
2. Plug the supplied USB type-C to A cable to the doc cam and connect the other end to your computer's USB port.



HDMI Mode Connection

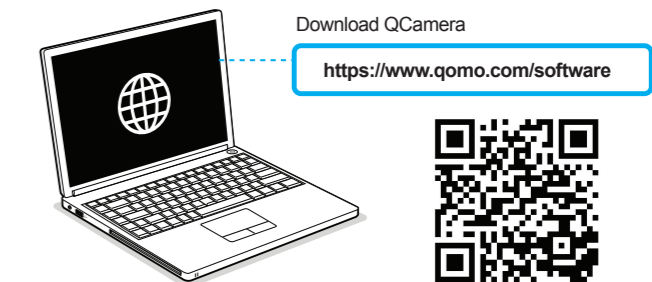
1. Switch to the HDMI connection mode at the side of the doc cam.
2. Plug the USB cable into the USB power adapter.
3. Connect to a projector, monitor, TV(HDTV), or QOMO Interactive Panel.



Warning: Only a UL or CCC certified power supply can be used; the electrical rated output is 5V DC, minimum is 1A, and using other power support may induce risk.

Step 7. Software Download

The ScannerCam 100S is a standard UVC camera -- you can use it with a variety of software that supports UVC camera connection. The Scanner-Cam S is compatible with the third-party video conferencing softwares Zoom, Microsoft Teams, or Google Meet. However, to get the full functionality of this 4K document camera, we recommend using it with the QOMO **QCamera** software. QCamera is compatible with Windows, MAC, and Chrome OS and is free of use for all QOMO customers. To download, use the link below.



For the more get-started tips about using the ScannerCam 100S and QCamera software, check out our easy tutorial videos on the QOMO website at www.qomo.com/instructional-videos.

