

A Warnings

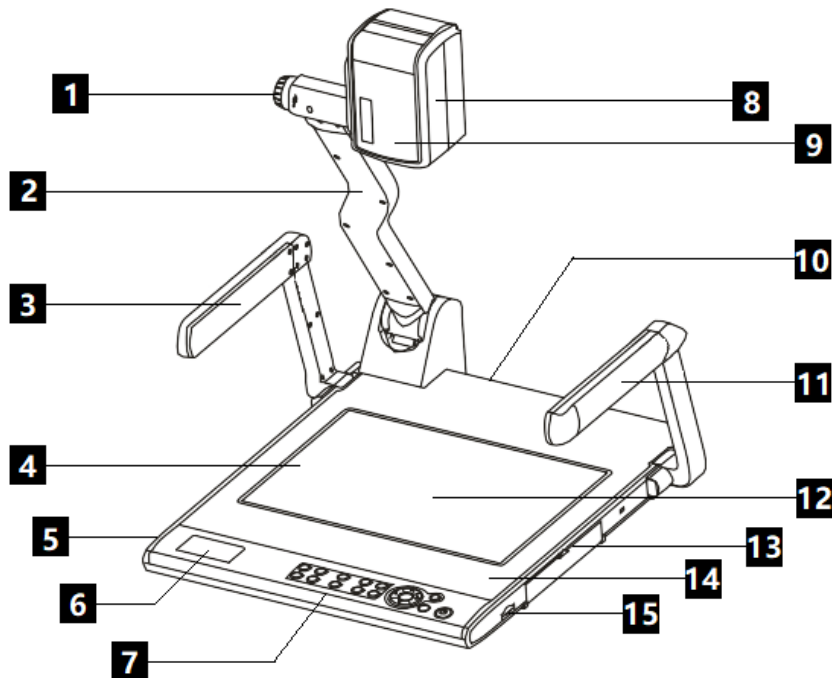
● Safety precautions

1. Please prevent children from operating the device without supervision.
2. To prevent fire or electric shock, please do not expose the machine to rain or a humid environment.
3. Be careful not to spill water or other liquids on the machine. Do not put metallic or combustible material inside the visualizer.
4. Do not disassemble or repair the visualizer without professional assistance. Maintenance service should be conducted by a qualified maintenance person.
5. Do not hold the arm lamp or grab the camera in one hand to move the machine. Please hold the base with both hands to move the machine.
6. When the device is not in use for a while, please turn off the power.

● Use precautions

1. The device has limited internal storage. To better preserve pictures or videos, please insert an SD card or USB flash drive before using it.
2. When the device is connected to the power supply, please wait for the source indicator to turn off, only the red light of the power button is on, and then press the power button.
3. When you set the resolution of 2160p, make sure your monitor supports the display 4K resolution.
4. When the UVC function is in use, only Zoom in/out, Near, Far, lamp, brightness, Flip, and Autofocus functions are available on the panel and remote control.

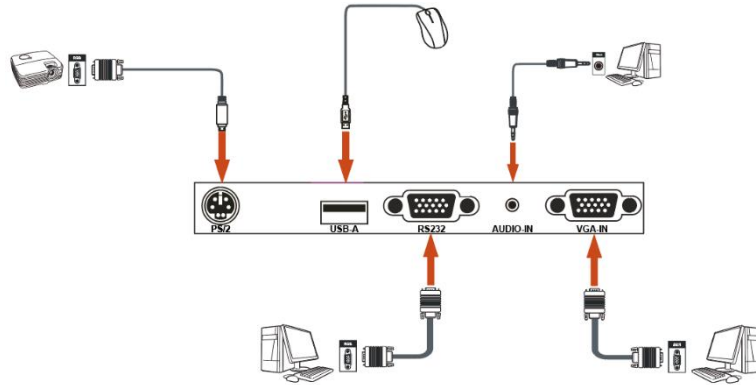
B Part Identification



- | | | |
|------------------------|------------------------|--------------------|
| 1. Zoom in/Zoom out | 6. Preview Screen | 11. Right Arm Lamp |
| 2. Camera Neck | 7. Control Panel | 12. Work Stage |
| 3. Left Arm Lamp | 8. Camera Case | 13. Side Connector |
| 4. Bottom Lamp | 9. Remote Sensing Area | 14. Microphone |
| 5. Remote Control Slot | 10. Rear Connector | 15. SD Card Slot |

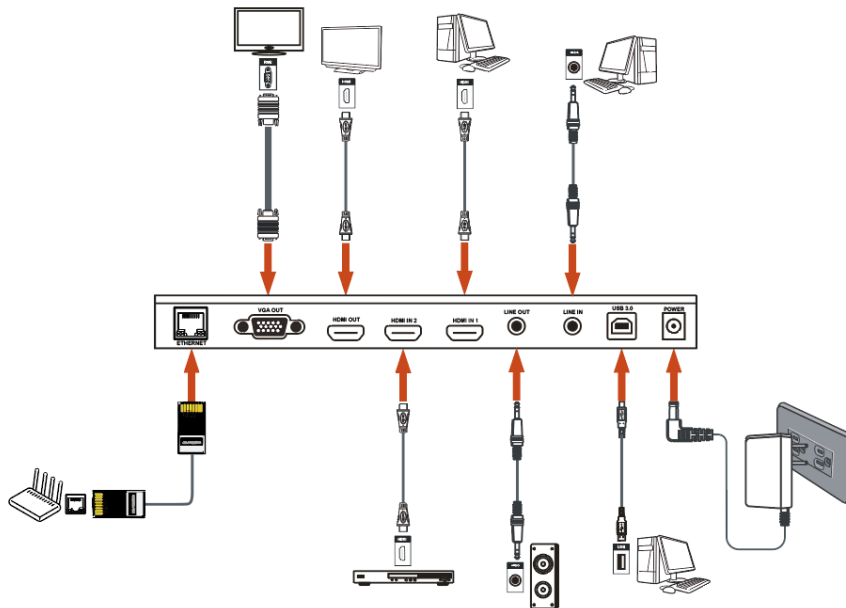
C Making Connections

- Connection diagram of the side panel



Connector	Function
PS/2	Computer control of visualizer
USB-A	USB-A for flash drive & USB mouse
RS232	Computer control of visualizer, RS232 slot
AUDIO-IN	Audio signal input, and computer signal synchronous switching
VGA-IN	VGA signal input connector

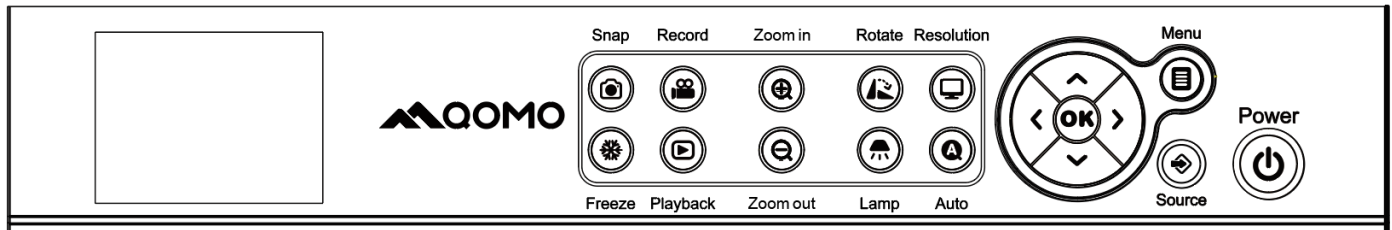
- Connection diagram of rear panel



Connector	Function
POWER	DC 12V power input
USB 3.0	Connect the computer USB interface, which can output the visualizer signal and control the visualizer on the computer
LINE IN	Audio signal input, and computer signal synchronous switching
LINE OUT	Audio signal out, for external speaker connection
HDMI IN 1	HDMI signal input connector
HDMI IN 2	HDMI signal input connector
HDMI OUT	HDMI signal output connector
VGA OUT	VGA signal output
ETHERNET	Connect to the network

D Control panel

● Button Operation Instruction



Button	Function
	Power On/Off, press and hold 3 seconds to off.
	Show or hide the OSD menu.
	Select a Visualizer input signal.
	Capture a still image.
	Record a video clip, and press it again to stop recording.
	Freeze the image / Press and hold for 3 seconds to split mode
	Display stored images and videos.
	Image rotation of 0°,90°,180°, and 270°.
	Select resolution from 720P, 1080P, and 2160P.
	Control the arm lamp and bottom lamp.
	Autofocus.
	Move the cursor Left/Focus Far.
	Move the cursor Right/Focus Near.
	Move the cursor Up/Increase the brightness.
	Move the cursor Down/Decrease the brightness.
OK	Confirm key.
	Zoom in.
	Zoom out.

E Other Instructions

- **USB Flash Drive**

When the USB flash drive is plugged into the USB Type-A port, the captured image and video can be saved in the flash drive.

- **Use the device as a UVC camera**

1. Turn on your computer, and connect the device to your computer via USB through the USB Type A-B port. Please confirm the USB is connected correctly.

2. After connecting the device to your computer, ensure the computer detects the camera. Install QCamera or use any third-party camera software to view the camera.

- **Installing visualizer software QCamera**

You can use this camera with a variety of software that supports a UVC camera connection. The visualizer is compatible with the third-party video conferencing software Zoom, Microsoft Teams, or Google Meet. However, for the best experience, we recommend using it with QCamera. You can download this free from the QOMO website at the link below.

<https://www.qomo.com/qcamera>

