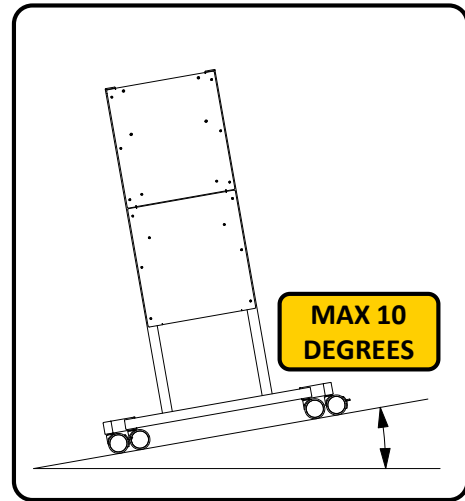


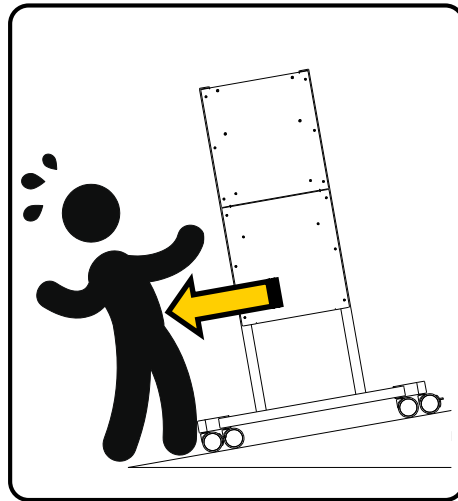


MOBILE STAND for the BalanceBox® 400 and 400H

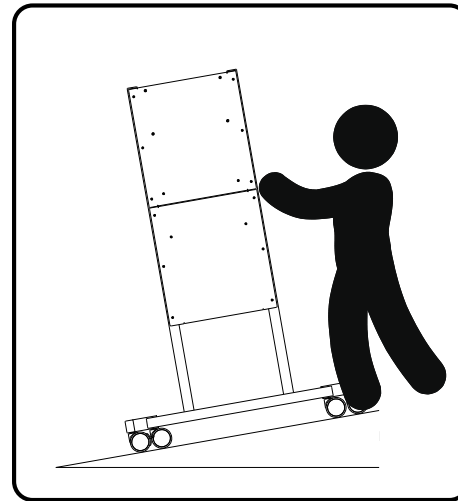
MOBILE STAND for the BalanceBox® 400 and 400H Installation manual



WARNING MAXIMUM SLOPE



WARNING DO NOT PULL DOWN SLOPE



STAY ABOVE CART WHEN MOVING DOWN SLOPE



CAUTION

This cart is intended for use with a BalanceBox® height adjustable mount and flat screen or touchscreen TV or Interactive whiteboard weighing not more than:

200 pounds (90 kg).

Use with other products may result in instability causing possible injury.



CAUTION

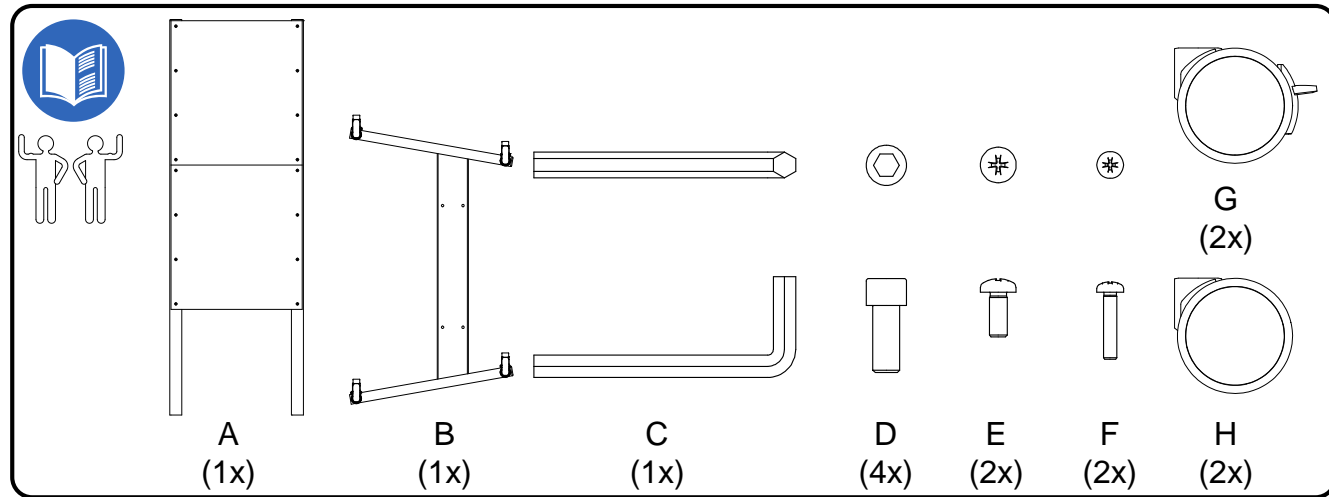
“This cart is intended for use only with the maximum weights indicated. Use with products heavier than the maximum weights indicated may result in instability causing possible injury.”



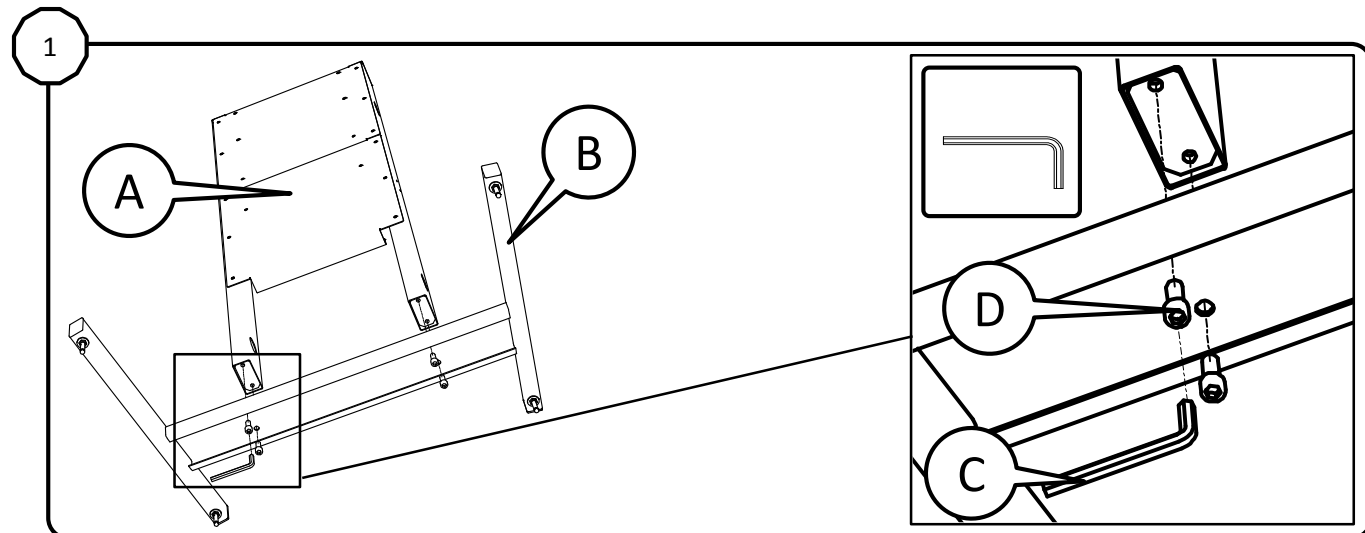
The information in this leaflet can be subject to changes.

partnr: 902821-02

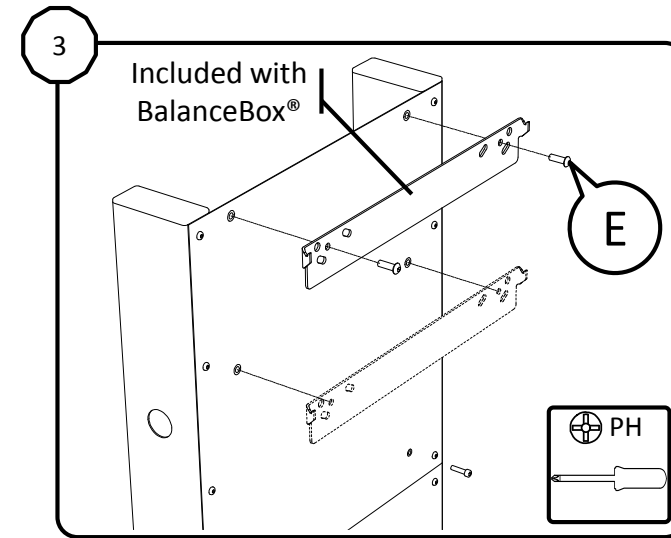
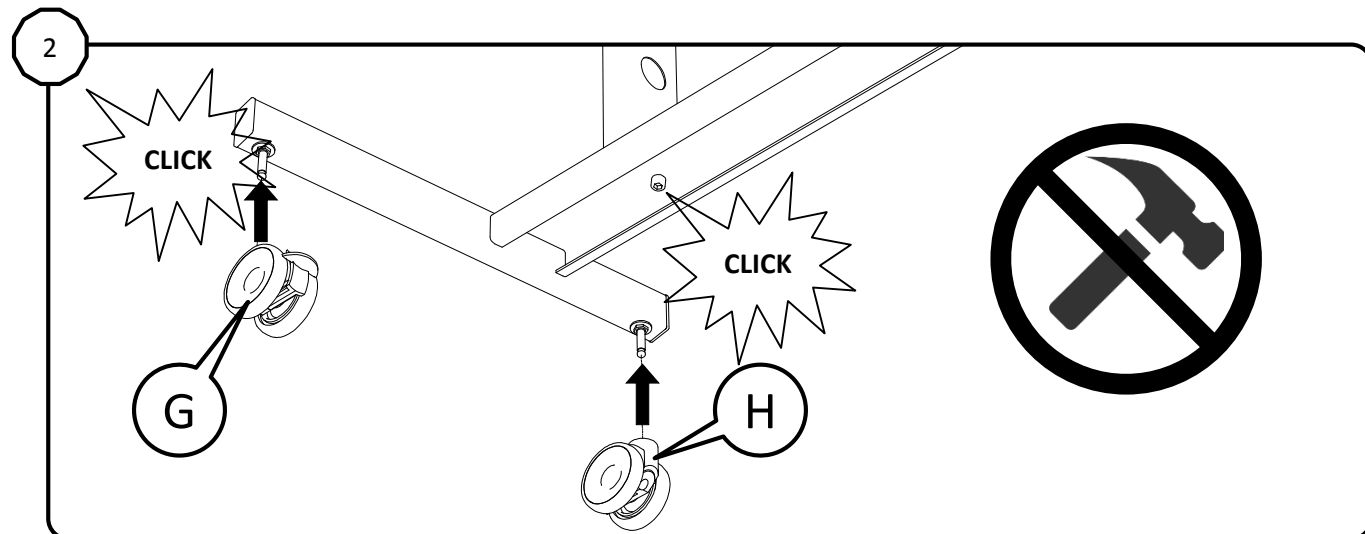




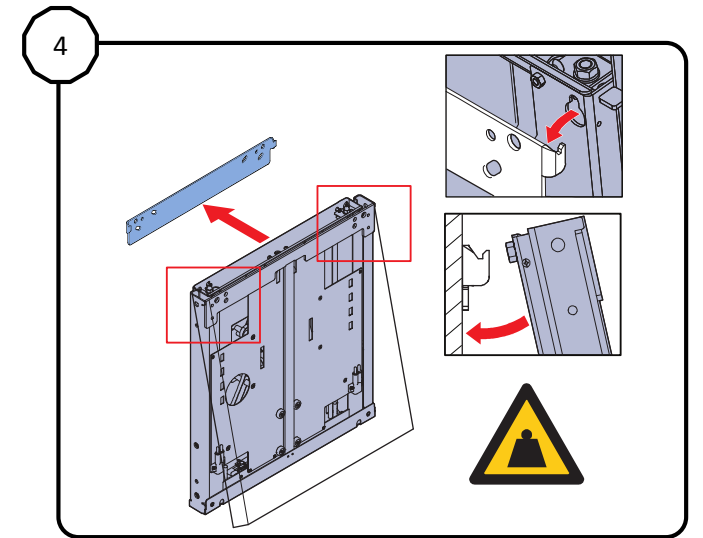
Contents of the box



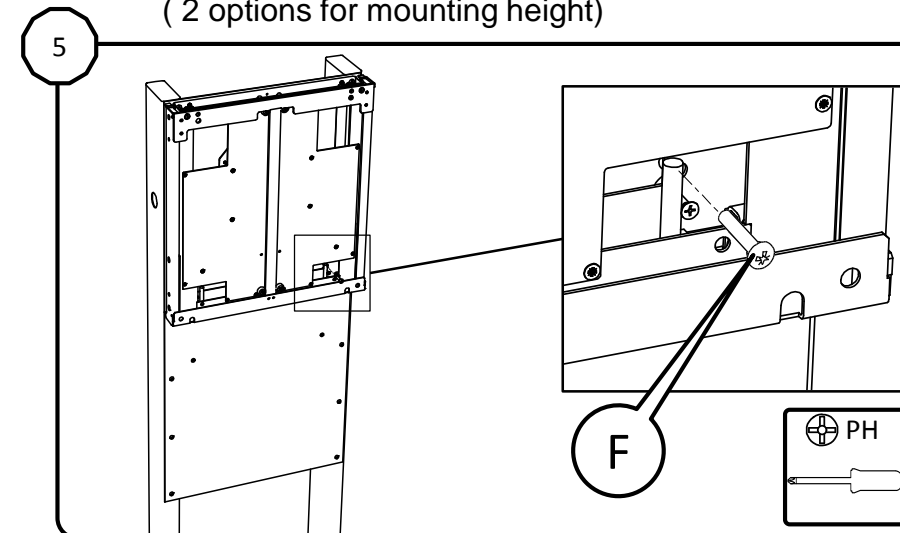
Assemble (● 10 mm)



Mount the BalanceBox® bracket
(2 options for mounting height)



Please refer to
BalanceBox® user
manual!



Lock BalanceBox® with safety screws at the bottom

