

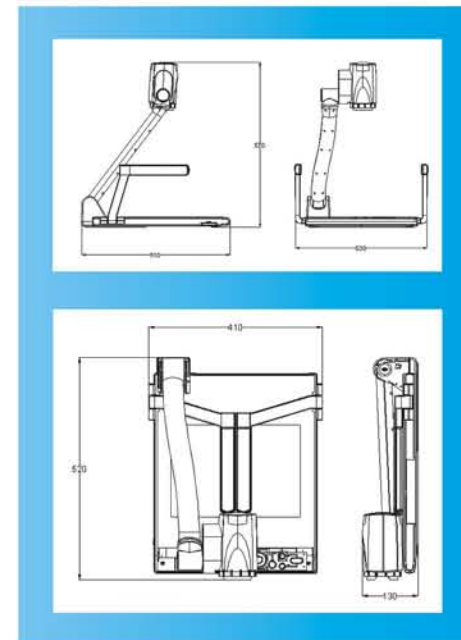
# QOMO Digital Processing Visual Presenter QD750

**QD750**

## Specifications

Model	QD750
<b>Camera</b>	
CCD	1/4" Progressive Scan CCD
Dynamic and Static Mode	Buttons Switch between "Digital" and "Analog" Image
Total Pixels	780K
Video Output Resolution	More than 450 TV lines
Powered Zoom	22x optical, 10x digital
Focus/Iris	Auto/Manual
White Balance	Auto
Image Save/Recall	7 images
Digital Imaging Functions	Negative, Freeze, Mirror, Split, Title Screen
Image Scroll	Vertical by Motorized Camera Head
Camera Head Rotation	Vertical 330°, Horizontal 270°
<b>Input/Output</b>	
RGB Input	15 Pin "D" Connector
RGB Output Resolution	XGA, SVGA
RGB Output	15 Pin "D" Connector
Projector Control	RS232
Control with Computer	RS232
Audio Input	Mini Jack x 4 (Audio out Follows Selected Video Input)
MIC Input	1/4 inch Jack x 1
C-Video Input	RCA x 1 (Can Pass through to XGA Output)
S-Video Input	4 Pin mini DIN x 1 (Can Pass through to XGA Output)
C-Video Output	RCA x 1
S-Video Output	4 Pin mini DIN x 1
Audio Output	Mini Jack x 1 (Audio out Follows Selected Video Input)
USB Port	USB2.0
Image Capture	10 Image/Sec
Power Input	12V/4A adapter
Operating System	Windows98/2000/ME/XP Mac OS 10.3 or higher
<b>Lighting</b>	
Arm Light	2 x 1.5W LED Arm Light
Back Light	Built-in 81/2" X 11" LED Light Box
<b>Control</b>	
Color Adjustment	Yes
Video Scalar	Yes Built-in (Converts S and C Video Input to RGB Out)
Input Switching	Yes (Switches all Video and Audio Inputs to RGB Out)
Brightness Adjustment	Yes
Focus Adjustment	Yes
Motorized Camera Head	Yes
Projector Power On/Off	RS232
Projector Input Selection	RS232
<b>Others</b>	
Operating Temperature	0°C-40°C
Instruction Sheet	Yes (User Guide above Lightbox)
Remote Control	Complete Set of Controls with Built-in Storage Compartment
Power	AC 100-240V, 50/60Hz
Dimensions	Folded: 20.1" x 16.1" x 4.7" (51.1 cm x 40.9 cm x 11.9 cm) Setup: 20.1" x 20.9" x 22.4" (51.1 cm x 53 cm x 56.9 cm)
Net Weight	N.M: 12.1 lbs (5.5Kg) G.W: 20.9 lbs (9.5Kg)

## Dimensions



## Presentation System



\* Design and specifications are subject to change without notice.



[www.qomo.com](http://www.qomo.com)

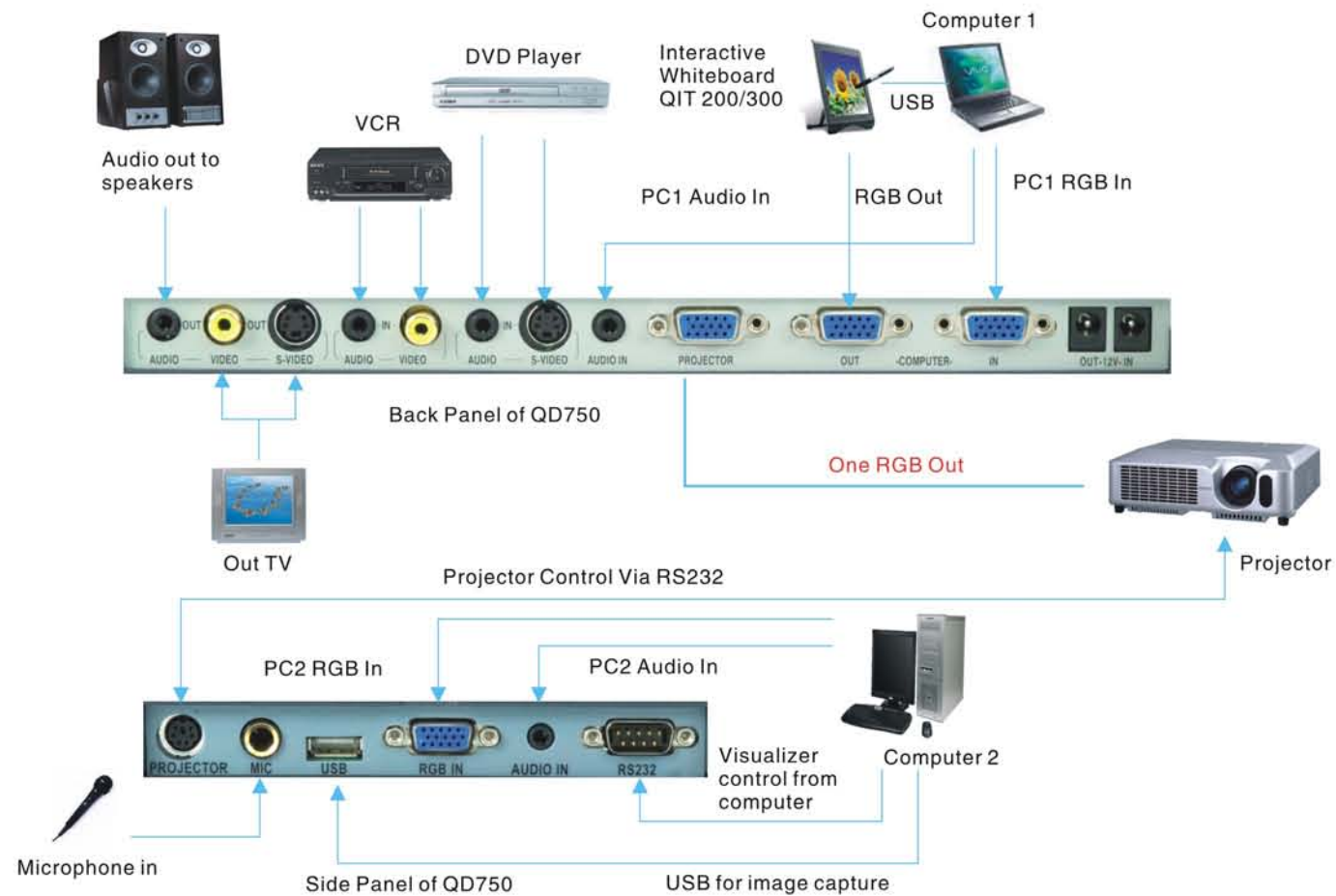
QOMO HiteVision, LLC  
Toll Free: (866) 990-QOMO  
email: [info@qomo.com](mailto:info@qomo.com)

Copyright©2006 QOMO HiteVision, LLC. All rights reserved. This document may not be copied in any form without written permission from QOMO HiteVision, LLC. Information in this document subject to change without notice.

**Presentation Power at Your Fingertips**

## Versatile Connectivity and Active VGA Pass-Through

The QD750 offers two RGB inputs, one S-Video, one C-Video input along with two RGB outputs, one S-Video and one C-Video output. The built-in Media Center of the QD750 functions as a signal switching hub. Signals from the camera, computers and video input as well as all of the audio can be switched through the Media Center and go to your display device through a single RGB output. The user's display device only needs to have one RGB input when using the QD750.



## High Quality Image

1/4" Professional CCD and built-in digital processing card provide a high resolution of 780K total pixel with support of SVGA and XGA output.



220x high speed, auto focus zoom (22x optical and 10 x digital) allows you to focus on the intricate details of any object.



Original image

- 22 x Optical Zoom
- 10 x Digital Zoom
- Auto Focus & Iris



Sharp, Bright and Detailed Images

## Simple & User-Friendly Operation

### LED Lights

Durable and environmentally-friendly LED arms lights and backlight deliver new visual effects and extra long usage life lasts up to 10 years.

Adjustable LED Lamps for Optimal Brightness



## Revolutionary Camera Head

The revolutionary motorized camera head allows users to scroll the image up and down. The smooth movement of the camera head assures clarity and ease of operation. This function is especially useful in displaying legal documents for a continuous and comfortable viewing experience. In addition to moving the camera head vertically up and down 330°, a new feature of the camera head allows you to change the horizontal axis of the camera and rotate the camera head manually 270°.



## Compact Design

The QD750 has an ultra sleek viewing base. At a mere 12 pounds, the QD750 is easy to carry. An optional wheeled carrying case with telescoping handle is ideal for business travelers and presenters on the go.



## Remote Control

The QD750 offers a full featured remote control. It contains every function on the front panel and gives you the ability to turn the projector on and off so you can consolidate remote controls. The large IR reception area makes it easy to operate from any angle.



## Built-in Projector Control

With a built-in projector control system, the QD750 can turn the projector power on/off and switch the projector's input sources.



## Computer Control

The QD750 can be remotely controlled by computer via a RS232 serial port.



## Advanced Digital Features and Controllability

### Title Function

The title function allows users the ability to freeze the top 1/8 of the screen while changing materials on the rest of the stage providing an organized presentation.

### Split Screen

Users can compare live images and still images side by side for dramatic illustration in the split screen mode.



### Enhanced Visual Effect for "Motion" and "Still" Image

The QD750 features a 'Dynamic Mode/Static Mode' function. The Dynamic Mode is designed to overcome weaknesses of a digital visual presenter which is a strobe effect on the screen when showing objects in motion. Using the 'Dynamic Mode', the QD750 shows smooth and accurate motion in real time. The static mode delivers greatly enhanced digital still images. The 'Text' button offers 'one-touch' text enhancement sharpening the edges of the text for improved clarity.



### Built-in Light Box

The built-in light box allows the display of X-rays, transparencies, and slides. Using the 'negative/positive' button, (Neg/POS) you can display the positive print of your photographic negative.



### PC and Mac USB 2.0 Image Capture and Video Recall

High speed USB 2.0 allows fast image transfer to a computer for future edit and recall.

