

Unique Versatile System Integration Media Center

The QD1600's unique built-in media center supports up to 4 separate inputs, among them its camera head, 2 RGB inputs, an S-video and composite video. These are channeled to a display device via ONE 15 pin RGB cable. Its RS232 control allows the QD1600 to turn the projector on/off or on standby in addition to toggling the projector's inputs. The QD1600 can also be controlled through third party control systems.



Professional Lens and Native XGA Resolution Deliver Crisp and Vibrant Images

The QD1600's 1/3" CCD delivers native XGA resolution rendering text and 3D objects in exquisite detail.



Our high speed (120) auto focus zoom brings new meaning to the term 'auto-focus'. At 16x optical and 10x digital, the finest details are brought into sharp focus. Additionally, our high speed auto focus provides greater depth of focus and depth of field when viewing 3D objects.

The QD1600 provides image quality unsurpassed by the competition. In addition to excellent clarity and rich color reproduction, movement is smooth and seamless at 25 fps.



Original image

- 16x Optical Zoom
- 10x Digital Zoom
- Auto Focus & Iris



Sharp, Bright and Detailed Images

QOMO Innovation Takes Presentation Technology to the Next Level

Motorized Camera Head

No more moving around and disrupting the thought process while you try to find the displaying part, our smooth motorized camera head allows you to scroll up and down a document, image or object at your desired zoom level.



LED Lights

Environmentally friendly LED lights on the arms and built into the base are cool to the touch and last up to 10 years, a great option in difficult ambient light situations.

Adjustable LED Lamps for Optimal Brightness



Feature Rich Control Panel

All of the most frequently used functions are located at your fingertips. Whether you are using our split screen function, turning lamps on or off, or using our media center to switch among inputs, you can do it all directly from our front panel.



Quick Guide

Forgot which button controls which effect? No problem! We give you a visual "cheat sheet" to help you remember functions and connections.

Remote Control

Our remote control is small but powerful. It slips into the low profile body of the QD1600 and pops out at the touch of a button. In addition to providing all of the control functions on the front panel, it also allows control of your projector when you connect your RS232 cable. No more multiple remote controls. With our consolidated remote control, you can turn your projector on and off and even change inputs on the projector!



Compact Design

The QD1600 has an ultra thin base. Its head and arm-lights fold down easily for easy storage and transport. At 12 pounds the QD1600 can be moved from room to room. Optional carrying case is ideal for business travelers.



The QD1600 Takes You to the Summit with Its Advanced Features

Image Capture and Multiple Screen Display

The QD1600 allows you to store up to 16 images every time you make a presentation. The stored images can be displayed individually or in a 2 x 2 matrix.



Mouse Control

Utilizing the mouse directly connected to the QD1600, you can control the functions of the camera and do basic annotations live on screen!



Built in Light Box

The QD1600 features an LED light box built into the base of the unit. This allows for clean and even lighting. Display photographic negatives, overhead transparencies and medical X-rays in full color.

Text Enhancement

The QD1600 includes a "Text" button with "one-touch" text enhancement, sharpening the edges of any text for improved readability.

RS 232 Control Functionality

Control all of the features and functions of the QD1600 from your computer. The Graphical User Interface (GUI) provides a functional control panel layout on your computer by simply connecting to the RS232 input of the QD1600.

Internal Image Storage and Recall

The QD1600 can save up to 16 captured images, recall and display them in the thumbnail recall mode.



USB 2.0 Image Capture and Video Recall

Using the USB connectivity of the QD1600 along with its image capture software, you can save images into your computer and then recall them for later use. Our software also allows you to capture your entire presentation from the QD1600 into a video file.



Split Screen

Display two images side by side. The split screen allows you to freeze an image on 1/2 of the screen while using the other 1/2 of the screen for dynamic display.

Integration and Connection

The QD1600 is an advanced presentation tool. While simple to use, it offers you the flexibility for multiple presentation applications.



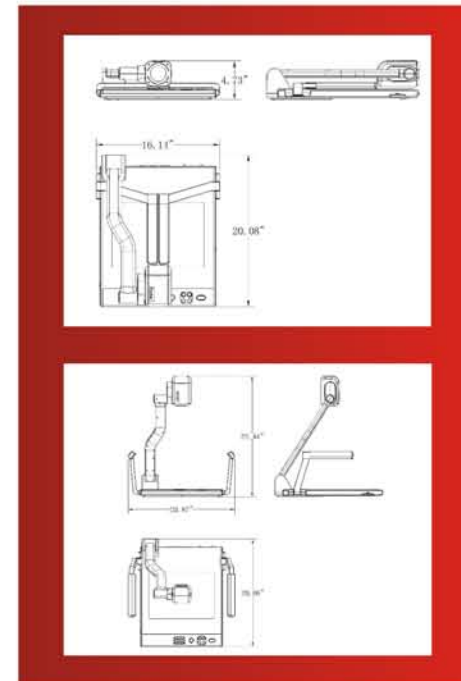
QOMO Digital Visual Presenter

QD1600

Specifications

VISUALIZER	QD1600
Color System	NTSC or PAL system
Pickup Device	1/3" CCD
Resolution	XGA (1024 x 768)
Total Pixels	850,000
Lens	16 x Optical Zoom, 10 x Electrical Zoom
Zoom	Powered
Camera Rotation	Vertically 330°
Focus/Iris	Auto/Manual Selectable
White Balance	Auto
Camera Mouse	Yes
Negative/Positive Conversion	Yes
Black/White and Color Selection	Yes
Image Freeze	Yes
Emboss Conversion	Yes
Edge Conversion	Yes
Image Mirror	Yes
Image Rotate	0° 90° 180° 270°
Image Flip	Yes
Image PIP	Yes
Image Split	Yes
Image Save & Recall	16 Frames
Camera Mouse	Yes
Lights	Arm Light: 1.5W LED Lamps x 2 Back Light: 4W LED Lamps
Input Connectors	C Video IN (RCA) x 1 S Video IN (4-pin DIN) x 1 Audio IN (Mini Jack) x 2 MIC IN (Phone Jack) x 1 PC Audio x 2
Output Connectors	RGB 15 Pin 'D' x 2 RGB 15 Pin 'D' x 2 C Video OUT (RCA) x 1 S Video OUT (4-pin DIN) x 1 Audio OUT (Mini Jack) x 1
Image Capture and Video Recording	
Operating System	Windows XP SP2 (Service Pack 2)
Hardware Requirement	CPU Higher than P2.4 GHz Memory Higher than 256MB
Frame Rate	25 Frames/Sec
RS232 Connector	D-Sub, 9-Pin, Male
USB Port	USB 2.0
Power Requirements	12V/4A External AC Adapter
Dimension (W x D x H)	Folded: 20.1" x 16.1" x 4.7" (51.1cm x 40.9cm x 11.9cm) Setup: 20.1" x 20.9" x 22.4" (51.1cm x 53cm x 56.9cm)
Weight	N.W: 12.1lbs (5.5Kg) G.W: 20.9 lbs(9.5Kg)
Accessories	AC Power Cord RGB Cable Audio/Video Cable S-Video Cable Computer RS232 Cable (9-pin to 9-pin) USB Cable Audio Convert Cable AC Adapter User's Manual Software CD Infrared Remote Control Warranty Card

Dimensions



Presentation System



Deluxe Carrying Case



QD1600

* Design and specifications are subject to change without notice.



www.qomo.com

QOMO HiteVision, LLC
Toll Free: (866) 990-QOMO
email: info@qomo.com

Copyright©2006 QOMO HiteVision, LLC. All rights reserved. This document may not be copied in any form without written permission from QOMO HiteVision, LLC. Information in this document subject to change without notice.

Experience the Presentation Power of Qview