

QOMO Digital Visual Presenter

QD1200

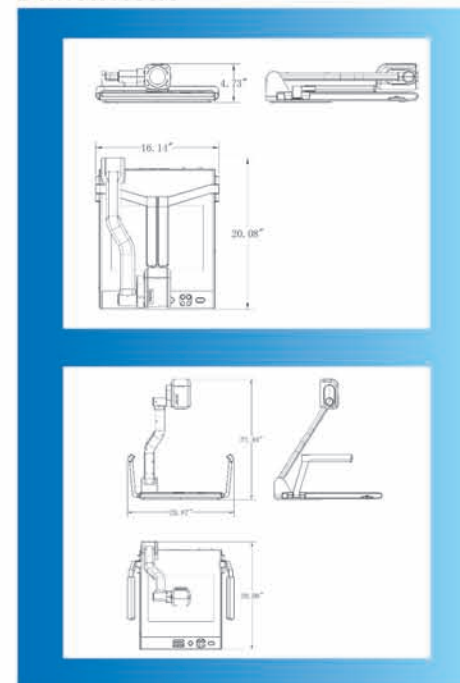
Specifications

Model	QD1200
Camera	
CCD	1/3" Progressive Scan CCD
Total Pixels	850K
Resolution	More than 600 TV lines
Lens	F=1.8-2.7mm/F = 5.4 ~ 64.8 mm
Powered Zoom	12x optical and 8x digital
Focus/Iris	Auto/Manual
White Balance	Auto
Frame Rate	20 frame/sec
OSD	Yes
Image Save/Recall	9 images
Digital Imaging Functions	Negative, Freeze, Rotate, Split
Camera Head Rotation	Vertical 330° with motorized camera head
Input/Output	
RGB Input	DB15FLC x 2
RGB Output Resolution	XGA, SVGA
RGB Output	DB15FLC x 2
Projector Control	Through RS232
Control With Computer	Through RS232
Audio Input	Mini Jack x 4
MIC Input	1/4 inch Jack x 1
C-Video Input	RCA x 1 (can pass through to XGA output)
S-Video Input	4 Pin mini DIN x 1 (can pass through to XGA output)
C-Video Output	RCA x 1
S-Video Output	4 Pin mini DIN x 1
Audio Output	Mini Jack x 1 (Audio output follows selected video input)
USB Port	USB2.0
Image Capture	10 image/sec
Power Input	12V/4A adapter
Operating System	Windows98/2000/ME/XP Mac OS 10.3 or higher
Lighting	
Arm Light	2 x 1.5W LED arm light
Back Light	Built-in 81/2"x11" LED Light Box
Control	
Color Adjustment	Yes
Brightness Adjustment	Yes
Motorized Camera Head	Yes
Projector Power On/Off	Through RS232
Projector Input Selection	Through RS232
Others	
Operating Temperature	32°F-104°F
Power	AC 100-240V, 50/60Hz
Dimensions	Setup : 20.1" x 20.9" x 22.4" Folded: 20.1" x 16.1" x 4.7"
Net Weight	12 lbs

* Design and specifications are subject to change without notice.



Dimensions



Presentation System



Deluxe Carrying Case



QD1200



www.qomo.com

QOMO HiteVision, LLC
Toll Free: (866) 990-QOMO
email: info@qomo.com

Copyright©2006 QOMO HiteVision, LLC. All rights reserved. This document may not be copied in any form without written permission from QOMO HiteVision, LLC. Information in this document subject to change without notice.

Experience the Presentation Power of Qview

Unique Versatile System Integration Media Center

With 2 RGB outputs, 2 RGB inputs, S-Video input/output, C-Video input/output, and audio inputs, the QD1200 provides superior connectivity. You can run two computer RGB inputs and two video inputs from a DVD and a VCR with sound through the QD1200, then output to monitors and projectors. All inputs go out to the projector via ONE VGA cable, thanks to the built-in C-Video and S-Video scalars. You can use your computer or any third party control system (AMX, Crestron, etc) to control the QD1200 via RS232 Interface.



Professional Lens and Native XGA Resolution Deliver Crisp and Vibrant Images

The QD1200's 1/3" CCD delivers native XGA resolution (1024 x 768) and makes it possible to view 3D objects in the finest details.



120x high speed, auto focus zoom (12x optical and 10 x digital) allows you to focus on the intricate details of any object.



Original image

- 12 x Optical Zoom
- 10 x Digital Zoom
- Auto Focus & Iris



Sharp, Bright and Detailed Images

The QD1200 offers excellent clarity in text viewing and superb color reproduction in 3D object presentation. At a frame rate of 20 fps, it captures and reproduces the moving images with great smoothness.



QD1200 offers you Simple & User-Friendly Operation

Motorized Camera Head

It allows the user to scroll the image up and down simply by pressing the buttons on the front panel or remote control.



LED Lights

Environmentally friendly LED lights on both arms and light box last up to 10 years and offer a great ambient lighting environment.

Adjustable LED Lamps for Optimal Brightness



Full Featured Front Control Panel

The users can find all the function-related buttons, such as 'Video', 'Split', 'Negative' and 'Lamp', etc. It also includes a 'cheat sheet' on the rear panel of the base.



Compact Design

The QD1200 has an ultra thin viewing base. The 12 pound body weight makes it convenient to be carried around. Optional carrying case is ideal for business travelers.



Remote Control

Our remote control is full featured. It contains every function on the front panel including the ability to turn the projector on and off so that you can consolidate remote controls. The large receiving area makes it easy to operate from distance.



With High Performance and Advanced Features, the QD1200 takes your presentation to the next level

Internal Image Storage and Recall

The QD1200 can save up to 9 images, recall and display them in the thumbnail recall mode.



Projector Control

With a built-in projector control system, the QD1200 can turn the projector power on/off and toggle inputs.

Built-in Light Box

Because of the built-in light box, 35mm film negatives can be easily presented without developing the negatives into the pictures. It also helps in presenting slides, X-Rays and transparencies at the best image quality.



USB 2.0 Image Capture and Video Recall

It allows you to save, edit and recall images without hardware platform limitation. You can also save the whole presentation into a video file.



Split-Screen

Display two images side by side (one live on the right, one frozen on the left) at the same time.



Text Enhancement

The QD1200 includes a "Text" button that offers "one-touch" text enhancement sharpening the edges of the text for easier readability.

The QD1200 is an ideal presentation tool for a variety of places, such as video conferences, educational institutes, corporate board rooms, training facilities, courtrooms, and religious institutions.

Video Conferencing



Training Room



Education



Military Planning



Connection Configuration

